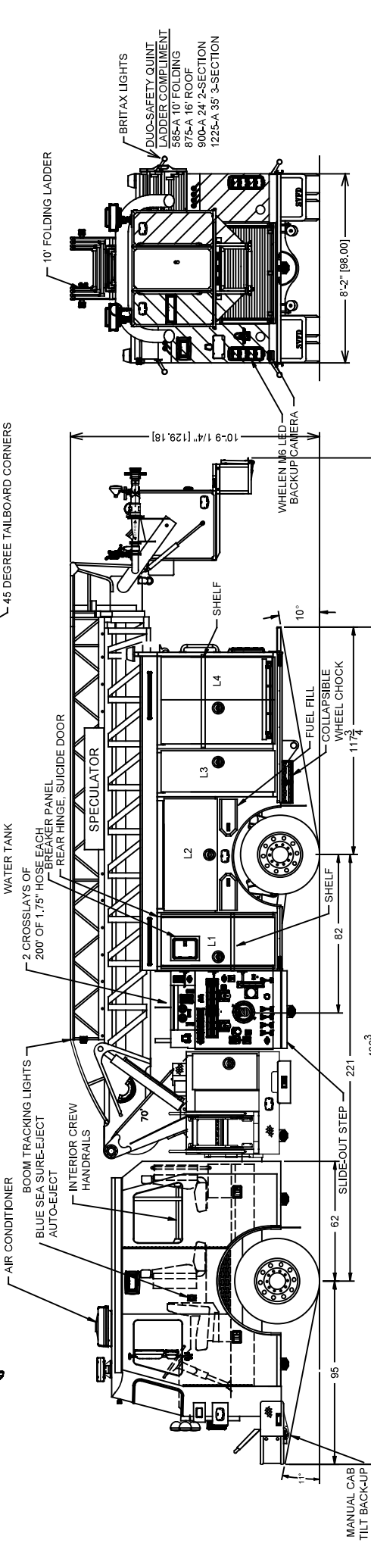
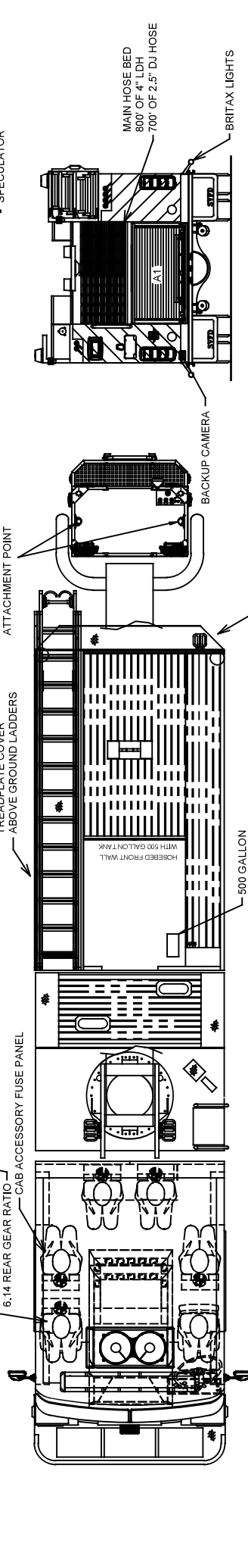
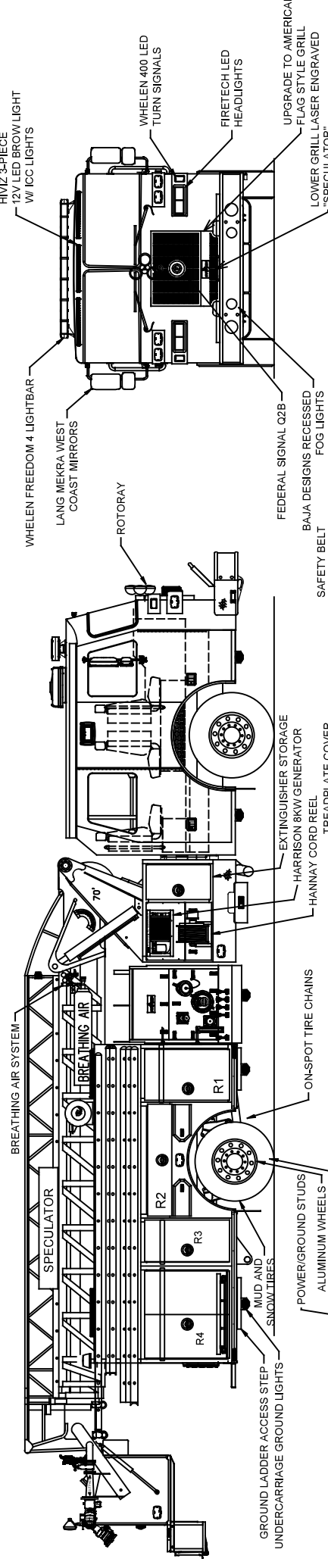


COMP	DOORS	OPENING DIMENSIONS	VOLUME	INSIDE DIMENSIONS	OPENING DIMENSIONS	VOLUME
L1	HINGED	22.75' W x 53.00' H	18.02 CU.F.T.	29.75' W x 59.00' H x 17.75' D	29.75' W x 45.00' H x 22.75' D	17.62 CU.F.T.
L2	HINGED	51.50' W x 24.00' H	17.41 CU.F.T.	60.00' W x 28.25' H x 17.75' D	60.00' W x 14.00' H x 22.75' D	11.05 CU.F.T.
L3	HINGED	17.75' W x 53.00' H	14.98 CU.F.T.	24.75' W x 59.00' H x 17.75' D	22.75' W x 45.00' H x 22.75' D	13.47 CU.F.T.
L4	HINGED	42.00' W x 53.00' H	26.63 CU.F.T.	47.25' W x 59.00' H x 17.75' D	47.25' W x 45.00' H x 22.75' D	27.99 CU.F.T.
ROLL-UP		44.50' W x 20.50' H	43.77 CU.F.T.			
					TOTAL VOLUME	192.73 CU.F.T.



NOTE: THIS IS A CONCEPTUAL DRAWING FOR DISCUSSION PURPOSES ONLY. ALL DIMENSIONS SUBJECT TO APPROVAL AND CHANGES BY SUTPHEN ENGINEERING DEPARTMENT.

CUSTOMER APPROVAL

NAME:	
TITLE:	
DATE:	

REV.	DESCRIPTION	BY	DATE
A.O.	PRE-CON	CAM	11/18/19

DRAWN BY:	N.CATALANO
DATE:	9/30/2019
MFG. FACILITY:	HILLIARD
STO:	
HS-2889	

THIS PRINT IS PROVIDED ON A RESTRICTED BASIS AND IS NOT TO BE USED IN ANY WAY DETRIMENTAL TO THE INTEREST OF SUTPHEN CORPORATION.

